

WE CAN
CREATE **PRIVATE** AND
SECURE SPACE FOR YOU

ROLLING ROOF

GUHHER[®]
ALUMINYUM TEKNOLOJİLERİ

www.guhher.com



www.guhher.com

GUHHER[®]
ALÜMİNYUM TEKNOLOJİLERİ

Introduction and performance

The GUHHER retractable bioclimatic aluminum pergola system provides a comfortable outdoor coating to its users with its design that allows outdoor use in all seasons of the year and in all weather conditions .

The system is designed to withstand even severe weather conditions such as strong winds , the worst rain , hail or excessive sunlight The system has been sized according to its design using high grade 10 M extruded aluminum profiles that provide superior performance for exterior product applications .

For all profiles , surface protection against environmental conditions is provided with thermoset powder coating To ensure longer system life , all bolts , screws and pins are chosen from high grade stainless steel or surface - coated alloy steel materials The GUHHER roof panel profiles have been designed with unique water guard side channels and cast aluminum end plates to allow for widths up to 7 m per system .

Projections are customized according to site requirements and available in any size up to 7 m.

system remotely controlled provides protection up to 24 square meters , but it is also possible to connect multiple systems together when required it is possible and easy to use in all weather conditions with the profile and joining kits with unique design that provide 100 % waterproof joining at all times .

system has an integrated gutter system specially designed to carry away even the heaviest rain smoothly . Also , a unique roof panel profile design with a special geometry is presented to transfer water easily to the gutter system by flowing over the roof panels .

A comfortable living space is offered to users with a specially produced direct drive motor system to provide smooth and quieter operation with remote controlled motorization .

While the LED lighting system provides practicality and flexibility of use , it allows the user to change the brightness settings of the environment with the remote control light setting in accordance with the request .

The system movement is provided by a trigger belt that contains a three - layer barrier system and is reinforced with multiple internal stainless - steel cables . Lamella joint pins located at both ends of the lamella provide linear movement of lamellae within the rafter profile .

The drive system is supported by many lamella drive sheets . The motor drive is transferred to the panels with the lamella drive plates and the trigger belt , so that the drive system allows the roof panels to be opened gradually up to 60 degrees , allowing the roof panels to be arranged side by side at the rear . In addition , the roof panels can be filled with foam , according to the customer's request , to increase heat and sound insulation .

We focus on all the details in every system we designed to provide the highest level of protection systems are formed as standard with edge wicks with flexible and unique designs In all parameters .



Over 15 years of experience and the ability to provide solutions and reliable systems for your space.

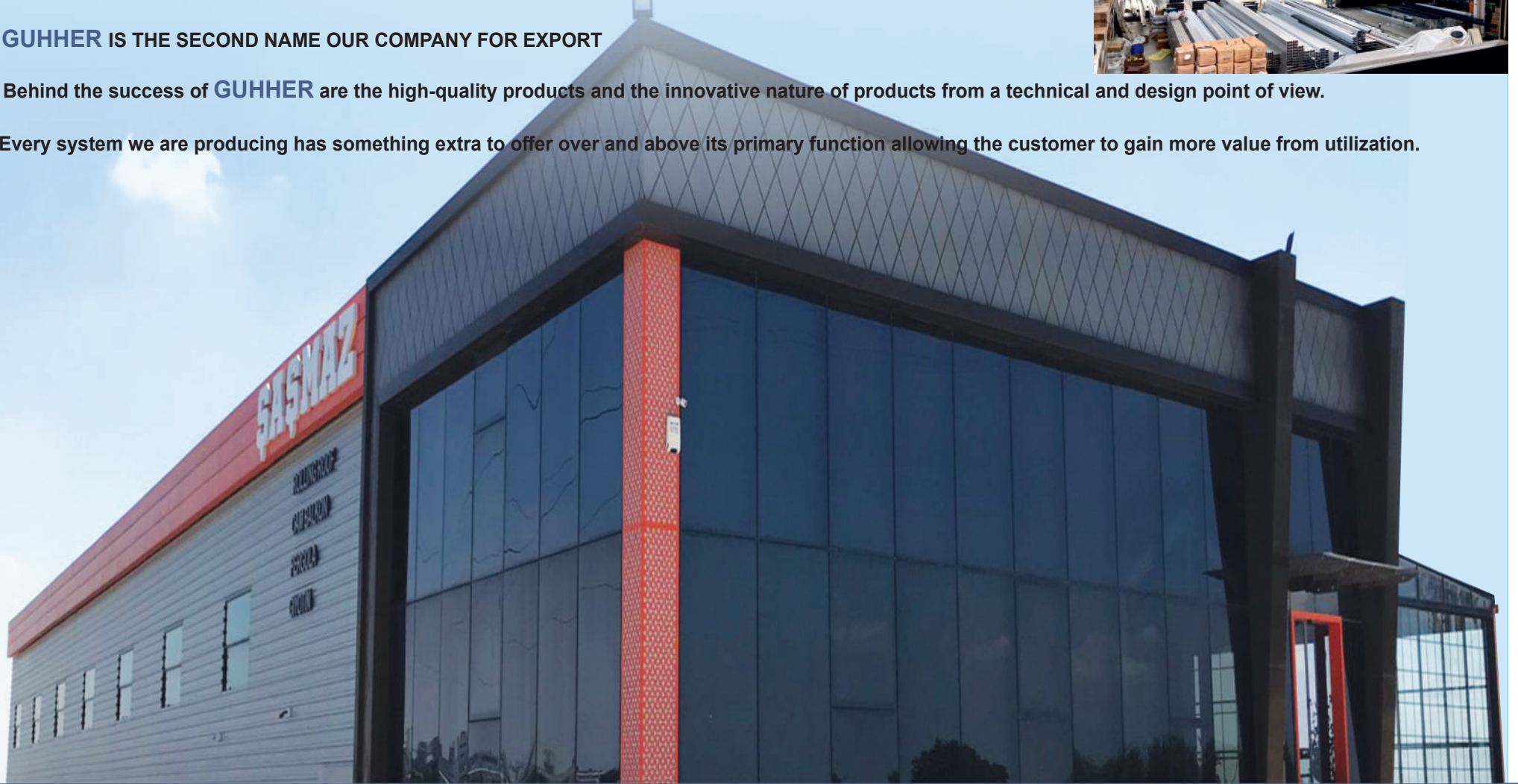
Our systems are resistant to all weather conditions even very extreme ones.

We use our experience and knowledge to meet the needs that you want to obtain from your external covered space.

GUHHER IS THE SECOND NAME OUR COMPANY FOR EXPORT

Behind the success of **GUHHER** are the high-quality products and the innovative nature of products from a technical and design point of view.

Every system we are producing has something extra to offer over and above its primary function allowing the customer to gain more value from utilization.



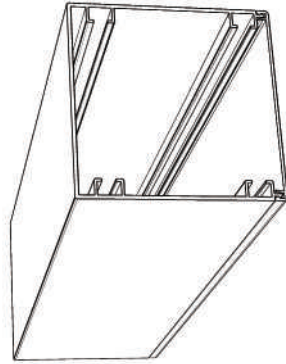
www.guhher.com

GUHHER[®]
ALÜMİNYUM TEKNOLOJİLERİ

The Main Parts of Aluminum Used in Bioclimatics

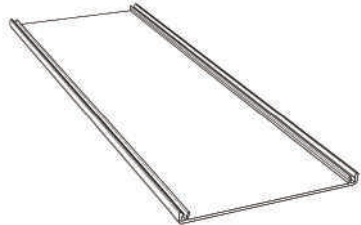


GU 3174
4,198 kg/m

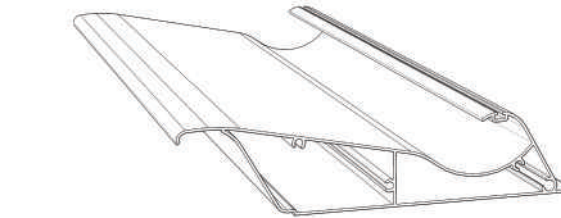


GU 3174
4,198 kg/m

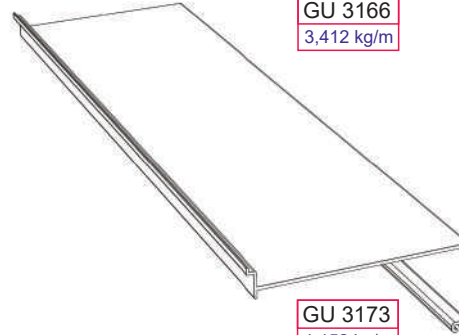
GU 3175
1,084 kg/m



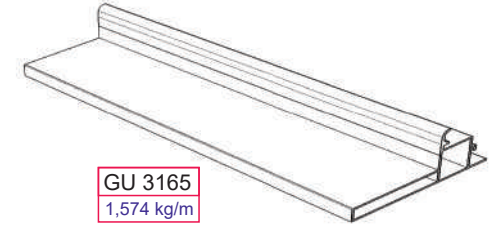
GU 3175
1,084 kg/m



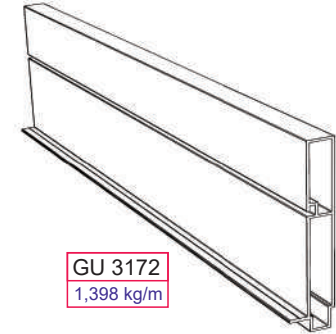
GU 3166
3,412 kg/m



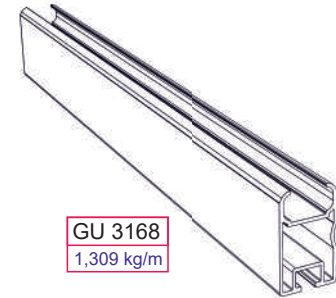
GU 3173
1,152 kg/m



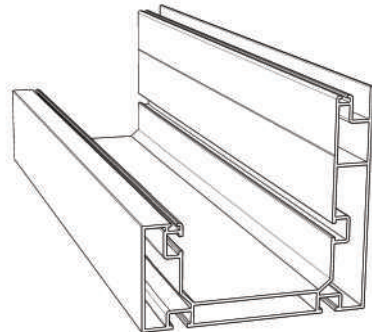
GU 3165
1,574 kg/m



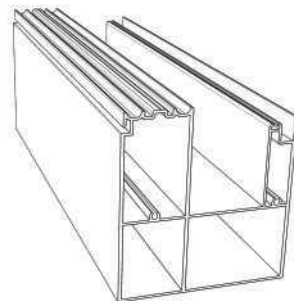
GU 3172
1,398 kg/m



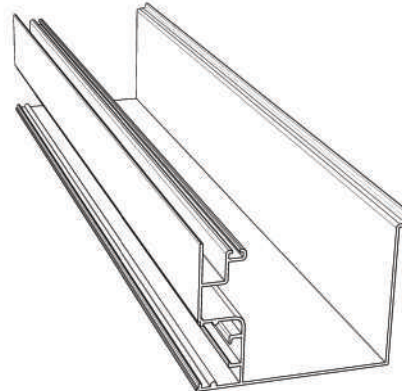
GU 3168
1,309 kg/m



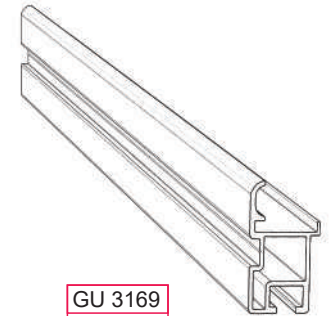
GU 3171
4,691 kg/m



GU 3170
4,859 kg/m



GU 3167
1,558 kg/m



GU 3169
1,135 kg/m



Powered by an electric motor and sealed with high quality gasket plugs, providing a completely airtight space which can be used in all weather conditions.

The motorized roof consists of rotatable aluminum panels

GU 3166



1

GU 3172



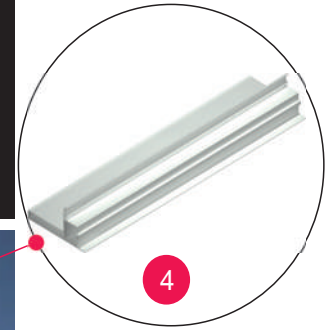
2

GU 3171



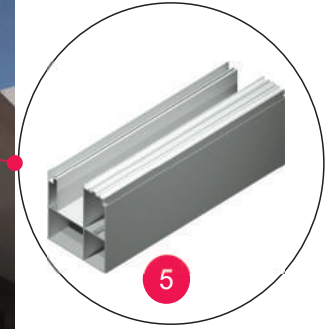
3

GU 3165



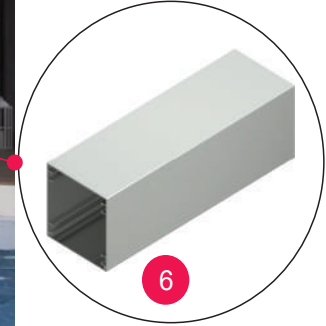
4

GU 3170



5

GU 3174



6



1 Panel

2 Cover

3 Gutter

4 Connection Part of Rail

5 Rail

6 Pillar



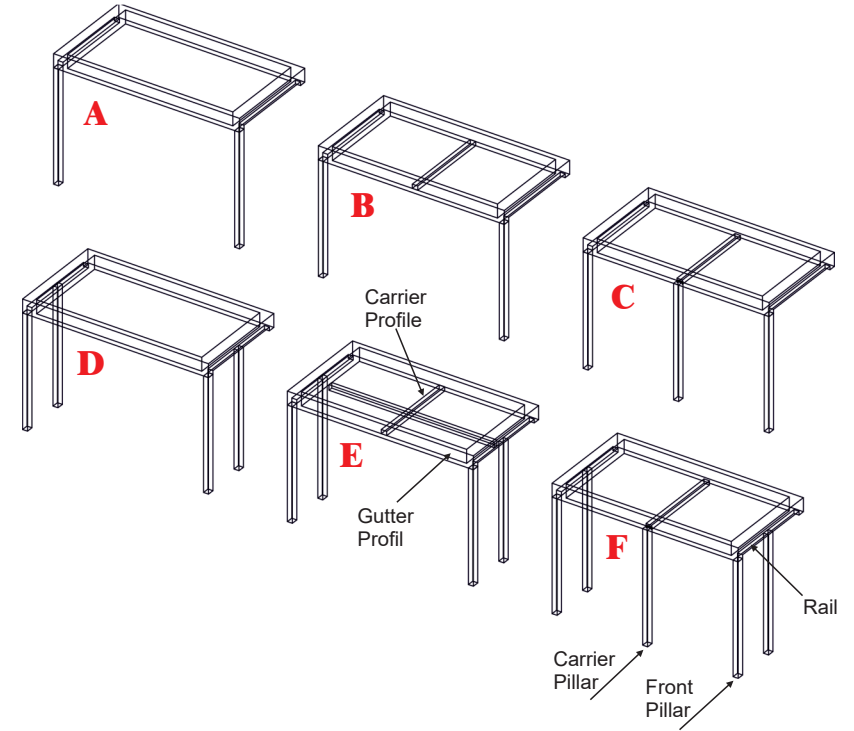
www.guhher.com

GUHHER[®]
ALÜMİNYUM TEKNOLOJİLERİ

CALCULATE STRUCTURE OF ROLLING ROOF SYSTEMS

Projection / mm	Width / mm									
	MIN	3000	3500	4000	4500	5000	5500	6000	6500	7000
3000	A	A	B	C	C	C	C	C	C	C
3500	A	A	B	C	C	C	C	C	C	C
4000	A	A	B	C	C	C	C	C	C	C
4500	A	A	B	C	C	C	C	C	C	C
5000	A	A	B	C	C	C	C	C	C	C
5500	D	D	E	F	F	F	F	F	F	
6000	D	D	E	F	F	F	F	F	F	
6500	D	D	E	F	F	F	F	F	F	
7000	D	D	E	F	F	F				
7500	D	D	E	F	F	F				
8000	D	D	E	F						
8500	D	D	E	F						
9000	D	D	E	F						
9500	D	D	E							
10000	D	D	E							MAX

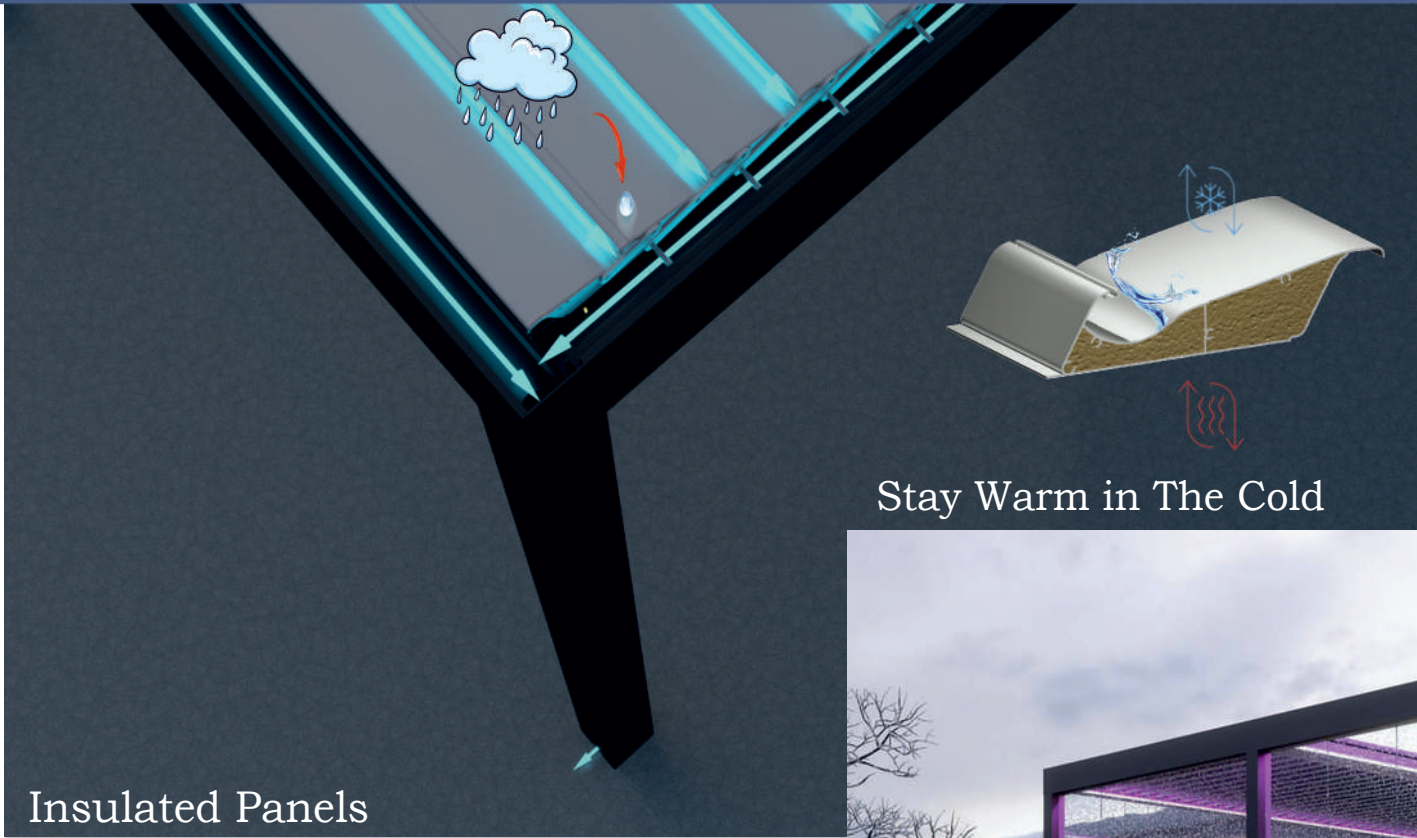
ROLLING ROOF Designing



CHARACTERISTICS

Installation	wall-mounted
Material...	aluminum
Canopy material	with smooth slats, sun shade louvers
Specifications	custom, Rolling bioclimatic, motorized, wind-proof
Options and accessories	with integrated LED
Style	contemporary
Ecological characteristics	energy-saving, recyclable, 100% recyclable
Color	Main Color (White / Black ...)





Stay Warm in The Cold



Stay Cold in The Warm

Insulated Panels

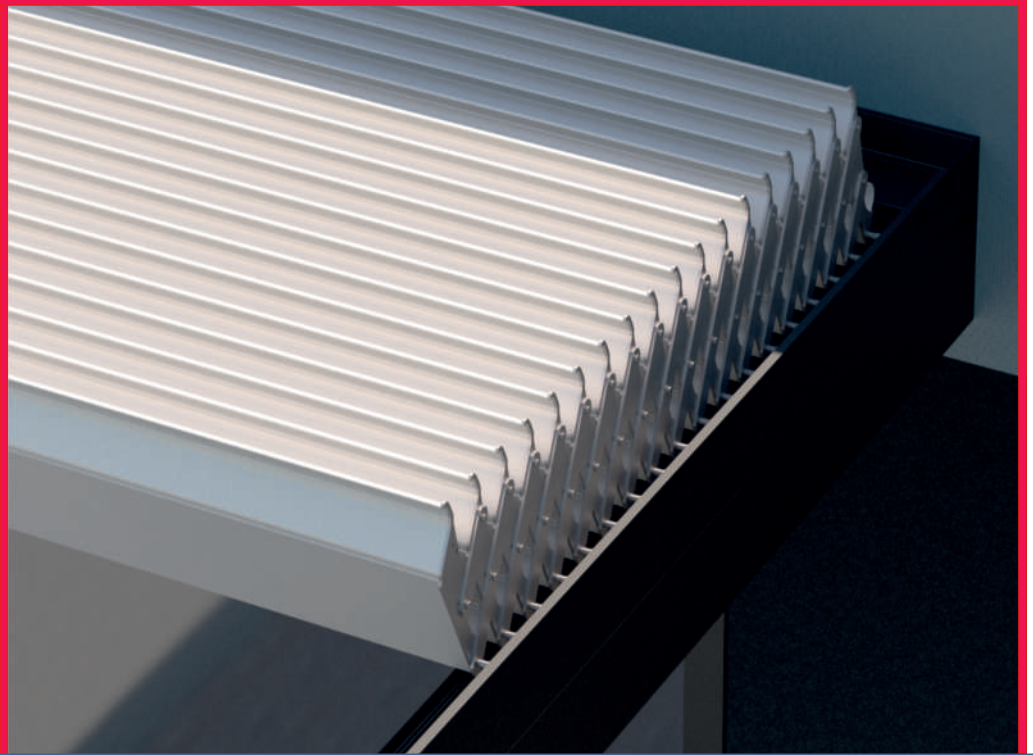
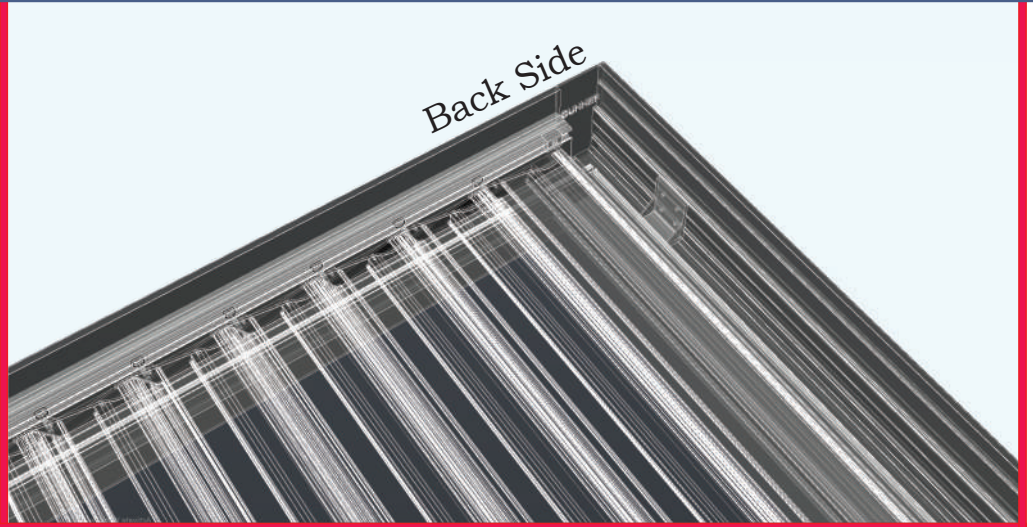
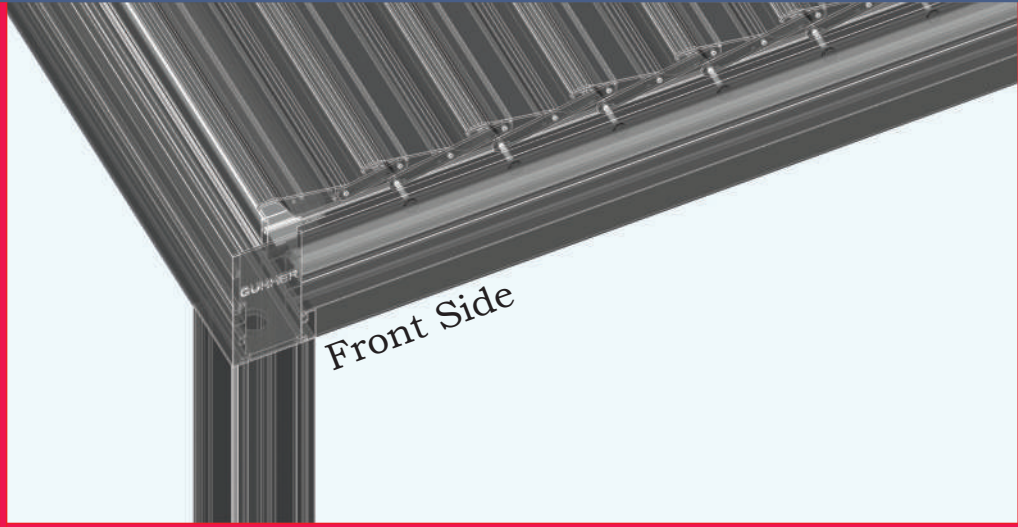
Significantly reduces wastage of hot weather in winter and cold weather in summer.

Panels can be filled with Polyurethane Foam which provides extra comfort.



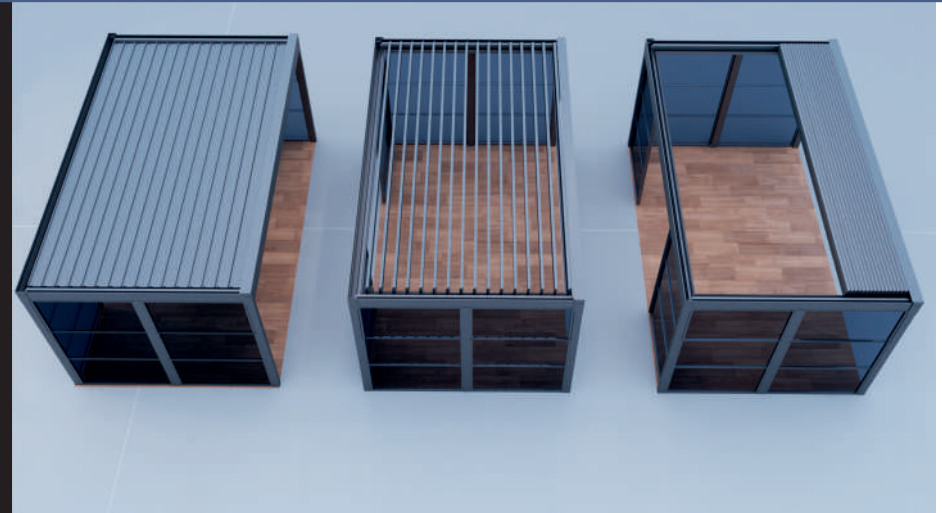
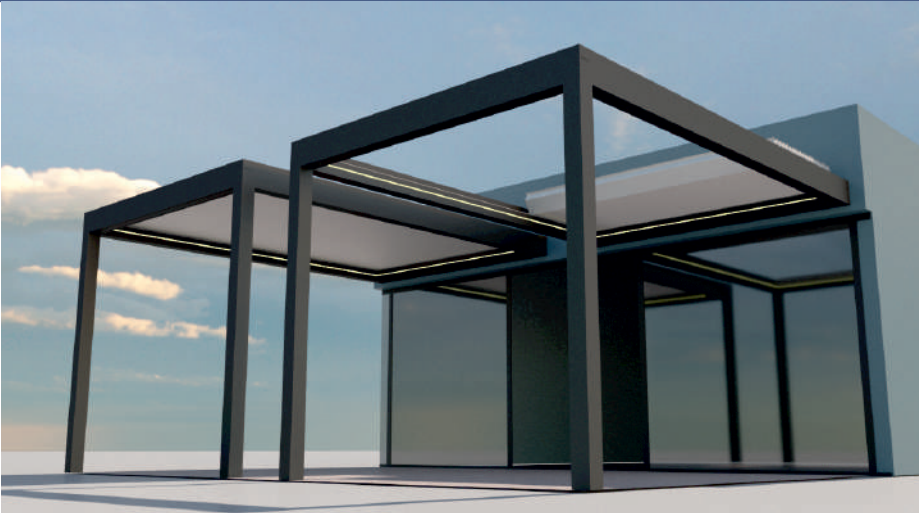
www.guhher.com

GUHHER[®]
ALÜMİNYUM TEKNOLOJİLERİ

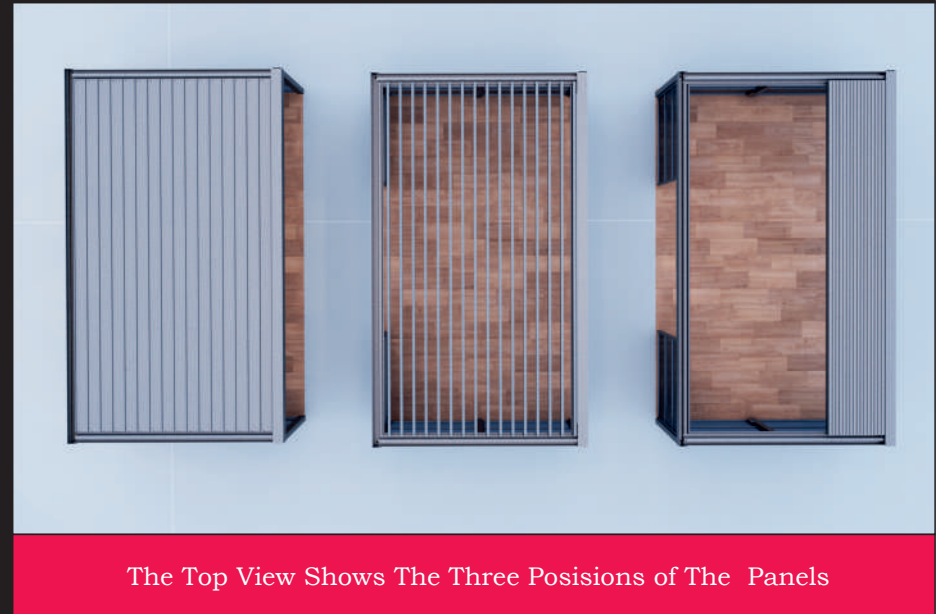


www.guhher.com

GUHHER[®]
ALÜMİNYUM TEKNOLOJİLERİ



Rainwater or snow from the surface of the panels is directed to the gutters that are installed around the system and is directed into the pipes inside the pillars and finally drained out

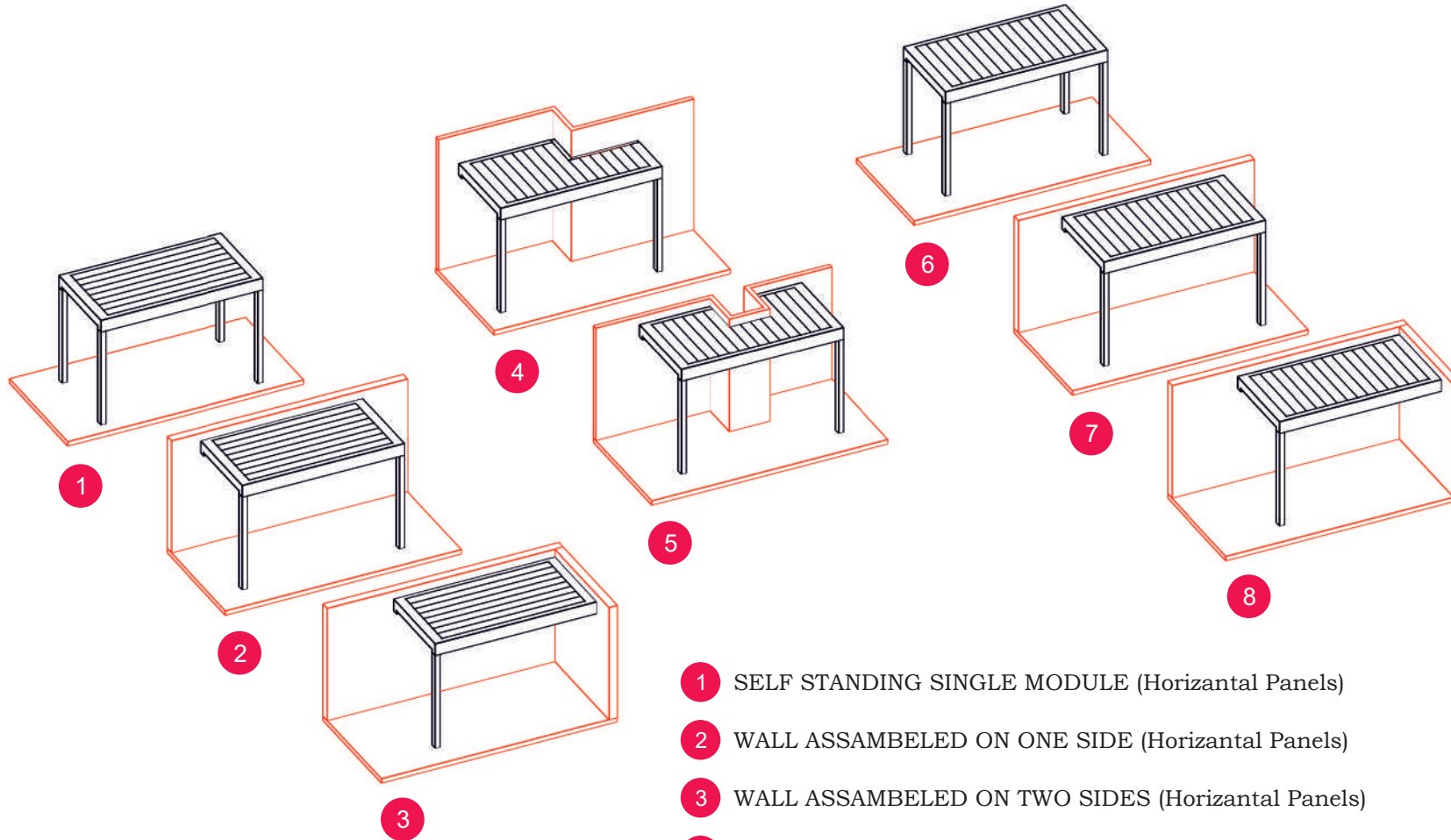


The Top View Shows The Three Positions of The Panels



www.guhher.com

GUHHER[®]
ALÜMİNYUM TEKNOLOJİLERİ



- 1 SELF STANDING SINGLE MODULE (Horizontal Panels)
- 2 WALL ASSAMBELED ON ONE SIDE (Horizontal Panels)
- 3 WALL ASSAMBELED ON TWO SIDES (Horizontal Panels)
- 4 WALL ASSAMBELED SINGLE MODULE
- 5 WALL ASSAMBELED SINGLE MODULE
- 6 SELF STANDING SINGLE MODULE (Vertical Panels)
- 7 WALL ASSAMBELED ON ONE SIDE (Vertical Panels)
- 8 WALL ASSAMBELED ON TWO SIDES (Vertical Panels)





www.guhher.com

GUHHER[®]
ALÜMİNYUM TEKNOLOJİLERİ



www.guhher.com

GUHHER[®]
ALÜMİNYUM TEKNOLOJİLERİ



www.guhher.com

GUHHER[®]
ALÜMİNYUM TEKNOLOJİLERİ



www.guhher.com

GUHHER[®]
ALÜMİNYUM TEKNOLOJİLERİ



www.guhher.com

GUHHER[®]
ALÜMİNYUM TEKNOLOJİLERİ

GUHHER[®]
ALDIRHYUN TEKNOLOJILERI

